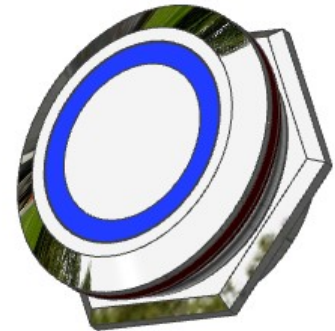
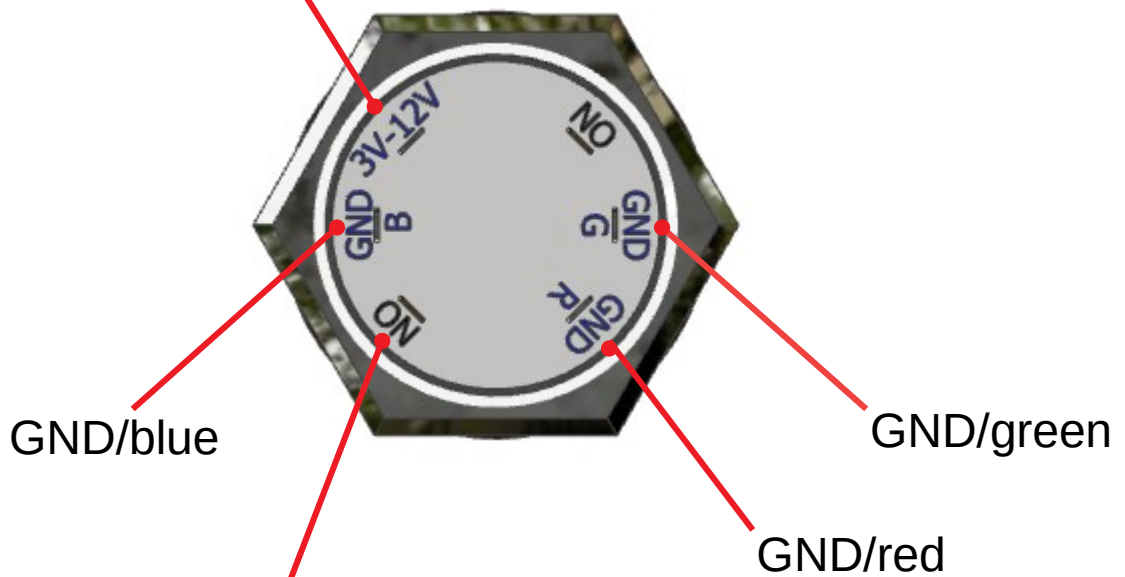


7564565 - Metal button with RGB LED colour ring

EN  
DINA4  
V1.0

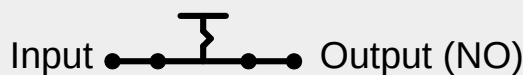


LED + (3V to 12V)



Connection normally open (NO)

**Normally Open (NO)**



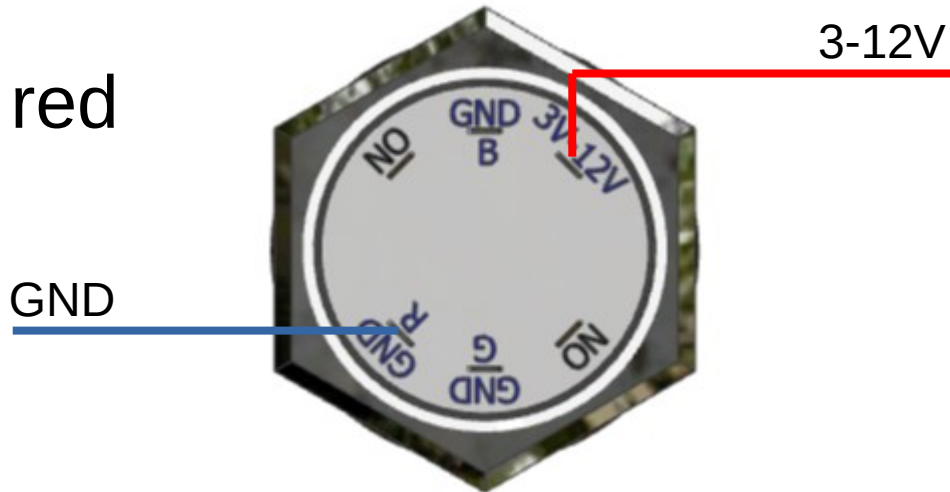
**Connect LED**

Dropping Resistor  
3V-12V no Resistor  
24V – 1k Ohm  
32V – 1.3k Ohm  
48V – 2.2k Ohm

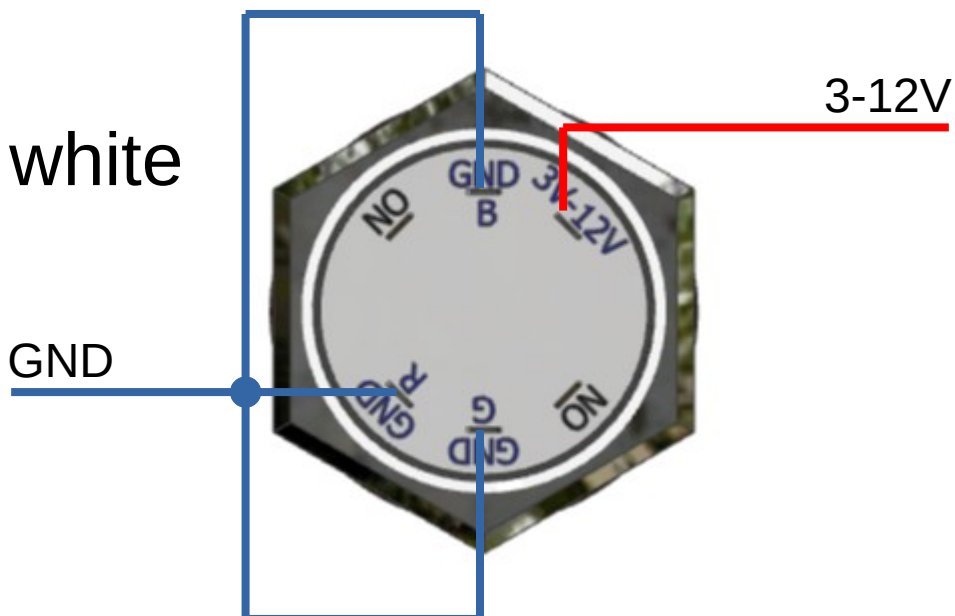
7564565 - Metal button with RGB LED colour ring

EN  
DINA4  
V1.0

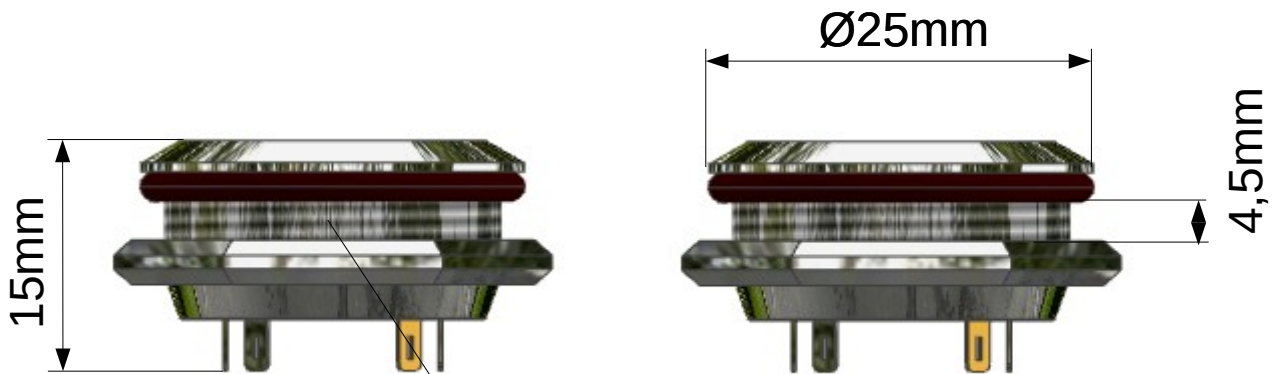
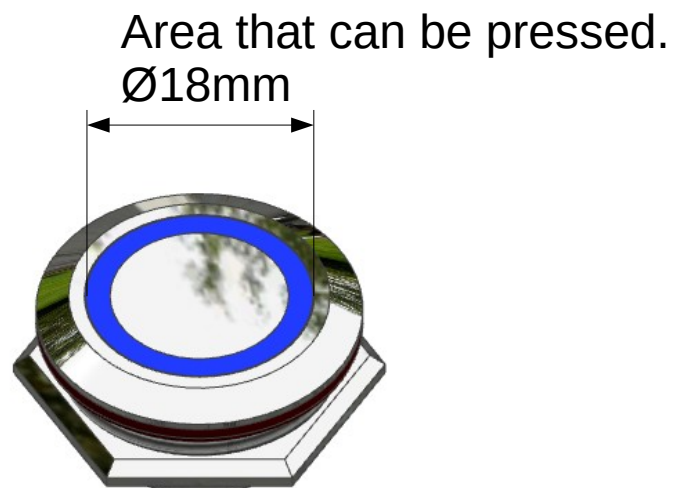
e.g. red



e.g. white



## 7564565 - Metal button with RGB LED colour ring

EN  
DINA4  
V1.0 $\text{Ø}21,85\text{mm}$  (M22x0,75)Drill  $\text{Ø}22$ so that the seal fits well, drill max  $\text{Ø}22,5\text{mm}$ 

Maximum housing wall thickness: 4.5mm